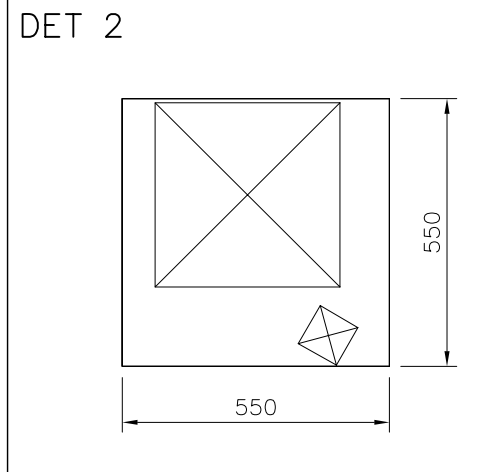
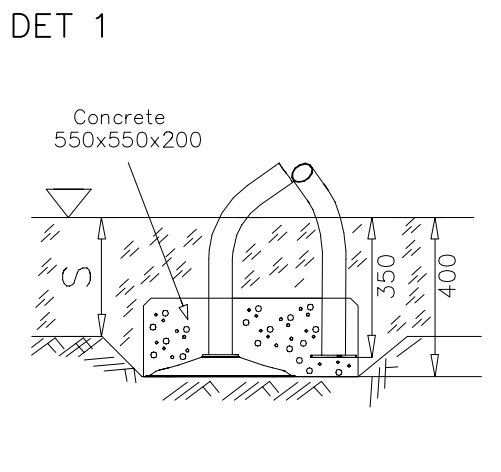


① 702341 90x50	PCS 1	② 703638 	PCS 4
③ 902134 	PCS 4	④ 902157 60x60x2	PCS 10
⑤ 902418 	PCS 3	⑥ 904146 	PCS 4
	PCS		PCS
	PCS		PCS
	PCS		PCS
	PCS		PCS
	PCS		PCS
	PCS		PCS



EN Impact Area 21.3 m²
Max Falling Height 490 mm

